

TOMTOM® LINK 510 Telematics Device

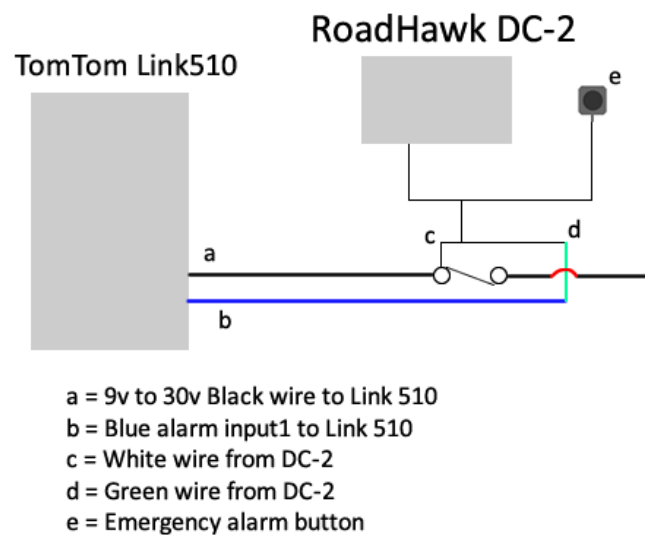
Summary:

The TomTom LINK 510 detects a 3v - 30v signal through its digital input wire. When an alarm is detected by the LINK 510, it will send a signal via GPRS through to the Webfleet vehicle tracking software. The Webfleet software can be configured to display a pop-up and play an audible alarm when the camera triggers an EVENT.

Connection:

**It is recommended to solder these connections in place.
Always shrink wrap exposed wires.**

Plug the alarm output cable in to the back of the RoadHawk DC-2 Camera.
Connect the GREEN wire from the RoadHawk DC-2 to a 12v to 32v live feed.
(you can connect the green wire from the RoadHawk DC-2 to the BLACK (9v to 30v) IGN input on the LINK 510).
Connect the WHITE wire from the RoadHawk DC-2 to the BLUE wire on the LINK 510



Configuration:

The RoadHawk DC-2 will send a signal to the LINK 510 if it detects an EVENT. An EVENT can be triggered by either pressing the remote input button or if the camera detects an adverse G-Force event. The camera may be triggered by driving on an uneven surface. If the camera is sending false alarms to the tracker then please adjust the sensitivity of the RoadHawk DC-2 camera using the software supplied with the camera.

TomTom Webfleet Configuration:

Locate the vehicle on the map and click on it. Click on the "details" button. On the right, under the "Contract / Device" drop down menu, click on "configure". Click on the Inputs/Outputs tab. Select IN1 and choose "digital input" (this is the blue wire on the link 510) You can then choose how you would like to be notified of the camera triggering an EVENT.

Inputs / Outputs:			
IN 1:	<input type="text" value="Digital input"/>	OUT:	<input type="text" value="Not in use"/>
IN 2:	<input type="text" value="Not in use"/>	PTO:	Not available
IN 1:	<input type="text" value="RoadHawk Alarm"/>	on:	<input type="text" value="Notice"/> Message text: <input type="text" value="RoadHawk Camera Triggered"/>
		off:	<input type="text" value="Message"/> Message text: <input type="text"/>