

## NAVMAN WIRELESS QUBE 3 Tracking Device

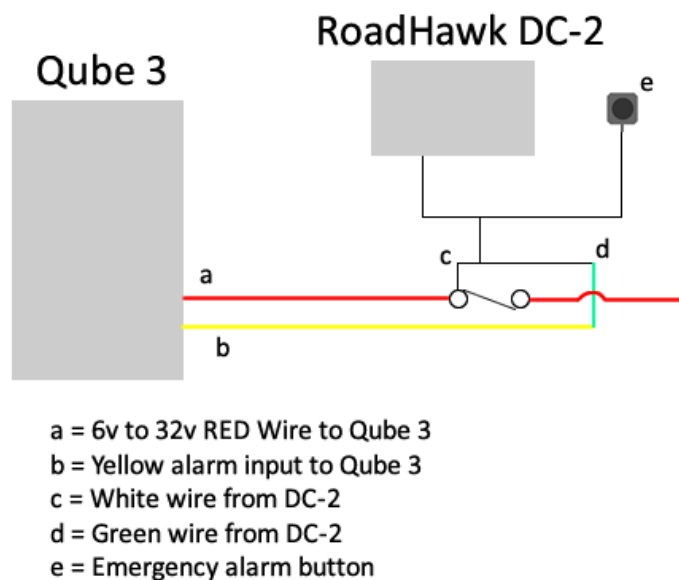
### Summary:

The Navman Qube 3 tracker detects a 3v - 24v signal through its digital input wire. When an alarm is detected by the Qube 3, it will send a signal via GPRS through to the Online AVL2 vehicle tracking software. The software can be configured to display a pop-up and play an audible alarm when the camera triggers an event. PLEASE NOTE: You may have to contact Navman Wireless to configure the app software to register alerts from the RoadHawk DC-2 Camera.

### Connection:

**It is recommended to solder these connections in place.  
Always shrink wrap exposed wires.**

Plug the alarm output cable in to the back of the RoadHawk DC-2 Camera.  
Connect the GREEN wire from the RoadHawk DC-2 to a 12v to 32v live feed.  
(you can connect the green wire from the RoadHawk DC-2 to the RED (6v to 32v) LIVE input on the Qube 3 Tracker).  
Connect the WHITE wire from the RoadHawk DC-2 to the YELLOW wire on the Qube 3 Tracker.



### Configuration:

The RoadHawk DC-2 will send a signal to the Qube 3 if it detects an EVENT. An EVENT can be triggered by either pressing the remote input button or if the camera detects an adverse G-Force event. The camera may be triggered by driving on an uneven surface. If the camera is sending false alarms to the tracker then please adjust the sensitivity of the RoadHawk DC-2 camera using the software supplied with the camera.

The Qube 3 software can be configured by logging in to the Online AVL2 system and clicking on "My Settings" in the FILE menu. Click on "My Alerts" on the left and select the tick boxes relating to the RoadHawk EVENT to choose how you will be notified of the camera's EVENT alert.